



Functional Devices, Inc.
 310 South Union Street
 Russiaville, IN 46979

Office: (765) 883-5538
 Sales: (800) 888-5538
 Fax: (765) 883-7505

Manufacturing quality products in the United States of America since 1969

TR175VA002

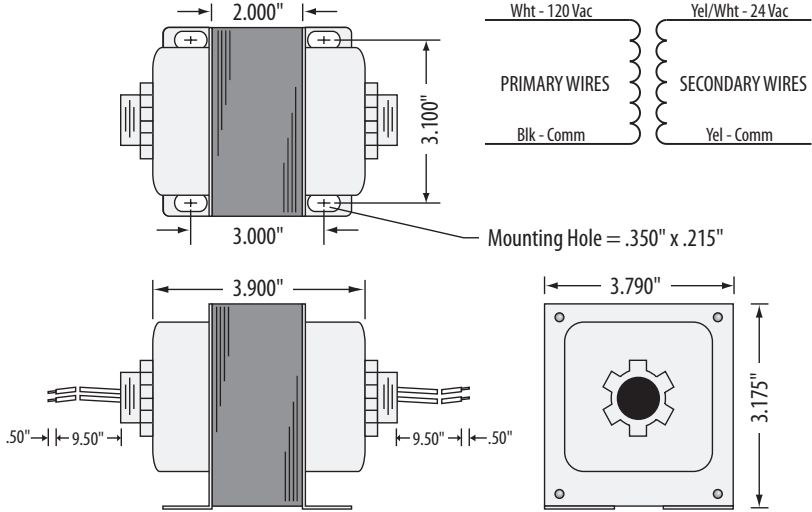
Transformer 175 VA, 120 to 24 Vac, Foot and Dual Threaded Hub Mount



Functional Devices, Inc. A600D 2006



- VA Rating:** 175
- Frequency:** 50/60 Hz
- Mounting:** Foot & Dual Threaded Hubs
- Over Current Protection:** None
- Dimensions:** 3.175" x 3.79" x 3.90"
(w/ .500" NPT Hubs)
- Wire Length:** 9.5" Typical w/ .5" Strip
- Operating Temperature:** -30 to 140° F
- MTBF:** 100,000 Hours @ 77° F
- Construction:** Split-Bobbin
- Weight:** 7.10 lbs.
- Approvals:** UL506 Listed General Purpose
C-UL, CE



NOTES